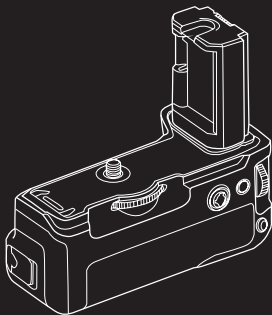


KOAH



MANUAL

**KO-VG-C3EM BATTERY GRIP
FOR SONY A9/A7 III/A7R III**

WELCOME!

Dear Koah™ Customer,

Congratulations on your purchase of the Koah™ Battery Grip for Sony A9, A7III, and A7RIII! Follow these instructions carefully to use your battery grip to its full creative potential. Keep the manual in a safe place, and don't hesitate to reach out if there's any way we can help.

We hope you enjoy your new Koah™ Battery Grip!

Sincerely,

The Koah™ Team

KoahPRO.com



@KOAHPRO

For technical assistance and warranty service, please email us at **cs@koahpro.com**.

Power source	NP-FZ100 battery
Charge voltage	DC 7.2V
Temperature range	32°F to 104°F
Dimensions	5" (W) x 4.25" (H) x 2.44" (D)
Weight	9.6 oz without battery

Specifications and design are subject to change without notice.

This battery grip is compatible with the Sony a9, a7III, and a7rIII mirrorless cameras and is designed for use with the NP-FZ100 battery. It comes equipped with a vertical shutter release button for shooting in vertical orientation. The main dial allows you to operate it the same way as for horizontal shooting.

Sony® is a registered trademark of Sony Corporation. Koah™ is not affiliated with Sony® or any of its subsidiaries.

WARNINGS

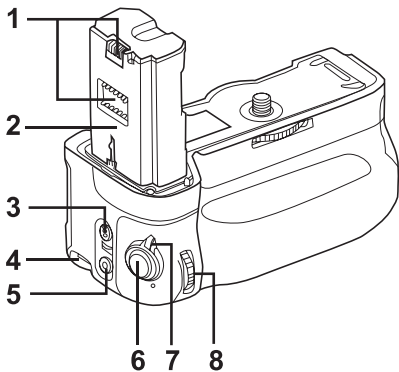
- Only use this unit with the compatible devices and batteries stated in this manual.
- Keep the unit and batteries out of the reach of children.
- The battery level may not display properly if the batteries are inserted before the grip is attached to the camera.
- Because the unit has an electrical contact point with the camera, you should not insert the battery if the unit is not attached to the camera. This could cause damage. Remove the battery from the unit when attaching it to the camera, when detaching it from the camera, or when storing the unit for lengthy periods.
- Do not connect the USB cable to the camera when attaching the unit to the camera or when replacing the battery.
- Remove the batteries and stop using the unit if the product is broken and its insides become exposed or if an odor, heat, or smoke comes from the unit.

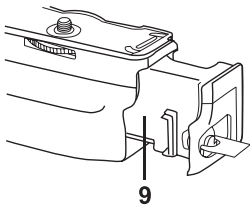
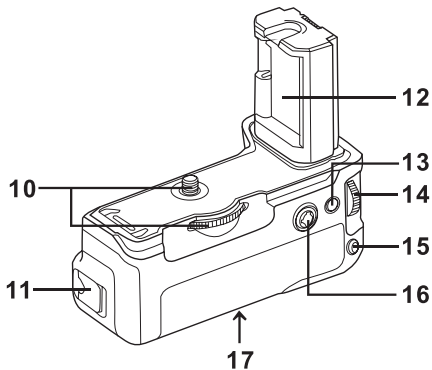
- When disposing of batteries, place tape over the battery contacts to avoid short circuiting. Always dispose of batteries according to local regulations.
- To avoid the risk of shock and voiding the warranty, do not try to disassemble or repair the unit.
- Do not use or store the unit in places that experience excessive vibrations, sand or dust, or electromagnetism. Do not allow the unit to come into contact with water, moisture, or fire. Keep the unit in a cool, dry area.
- Do not use or store the unit in extremely high temperatures or in places where it is exposed to direct sunlight, such as inside hot vehicles. Avoid high humidity environments.
- Do not subject the unit to rapid temperature changes. Doing so can cause condensation to form. For example, if you have been using the unit outdoors in cold temperatures, seal the unit in a plastic bag and remove all air from the bag before bringing it into the warm indoors, and wait until the temperature inside the bag equals the indoor temperature before removing it from the bag.
- Clean the unit with a dry cloth. Do not clean it with detergents or cleaning solvents.

- If you are using the unit with a lens mount adapter, you may not be able to attach a tripod to the lens adapter. Instead, attach the tripod to the unit.
- To avoid damage, do not attach the unit to a tripod using long screws. Only use screws that are no longer than 5.5 millimeters.
- Depending on the positioning of the camera's monitor, interference may occur when using the unit.

PARTS & FEATURES

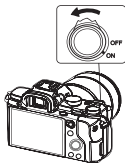
1. Electrical contacts
2. Guide bar
3. Custom button #2
4. Strap hook
5. Custom button #1
6. Shutter button
7. Grip control lock switch
8. Front control dial
9. Battery tray
10. Attachment screw
11. Open/close knob for battery chamber
12. Battery cover slot
13. While shooting: Auto Focus On button
While playing: Zoom In button
14. Rear control dial
15. While shooting: AEL button
While playing: List button
16. Multi-selector
17. Tripod receptacle



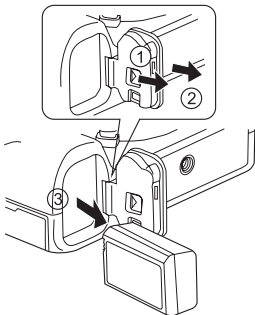


INSTALLING THE BATTERY GRIP

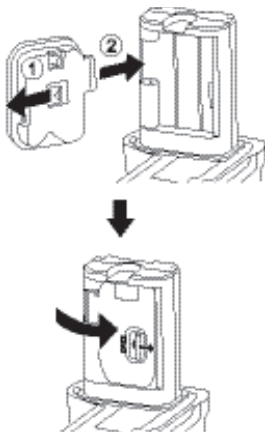
1. Turn the camera power off before installing the battery grip.



2. Open the camera's battery compartment and remove the battery.



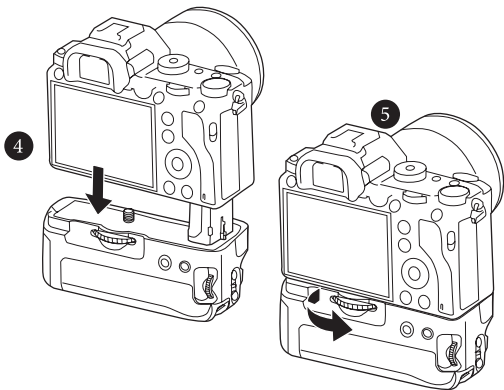
3. Firmly attach the camera battery cover to the battery cover slot.



NOTE: When the unit is not in use, attach the battery cover to the camera.

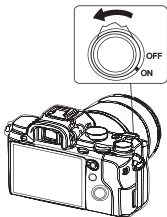
NOTE: If the battery pack is in the unit, remove it.

4. Align the battery grip's guide bar with the camera's battery insertion slot. Align the battery grip's attachment screw with the camera's tripod hole.
5. Turn the attachment screw to tighten securely. Ensure that all parts are secure, and check the attachment screw during use to be sure that it remains tightened.



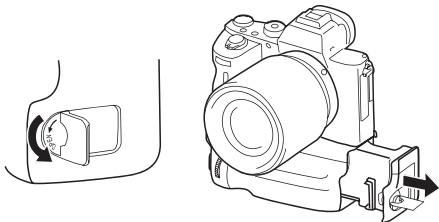
INSERTING THE BATTERY

1. When inserting the battery while the battery grip is attached to the camera, turn the camera's power off.

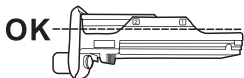
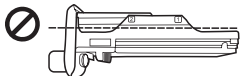
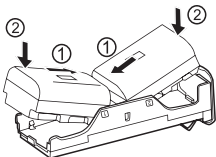


NOTE: Charge the battery before inserting.

2. Turn the battery chamber knob to the "open" position and pull out the battery tray.

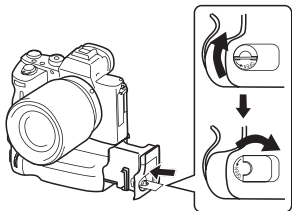


3. Attach the battery to the tray according to the directions on the tray. Attach the battery to either side.
4. Insert the battery tray and turn the battery chamber knob to the "close" position.



NOTE: This unit is designed for use with battery pack NP-FZ100. Do not use any other batteries.

NOTE: You can attach two batteries at the same time, if desired.

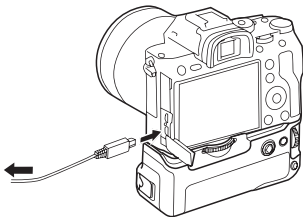


HOW TO SHOOT VERTICALLY

- Operation of the battery grip's dials and buttons is the same as that of the camera's. You can follow the same operating instructions found in the camera's user manual.
- When shooting vertically, ensure that the grip control lock switch is aligned with the camera body. This switch enables or disables the functions of the battery grip's dials and buttons. Regardless of this switch's position, the operating buttons on the camera are always enabled.
- Use the camera's power switch to turn the power on or off. The battery grip's on/off switch cannot turn the power on or off.

CHARGING THE BATTERIES

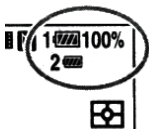
- The battery grip is unable to charge the batteries on its own. Charge the batteries while the grip is attached to the camera.
- Turn the camera's power off. Attach the camera's AC adapter to the camera with the USB cable and plug the AC adapter into a power outlet. You can also charge the batteries with a computer.



- When two batteries are installed, the one with the least power remaining is the first to be charged.
- It takes 5 hours to charge one battery and 10 hours to charge two batteries.
- The charging light on the camera will remain lit while charging is occurring.

BATTERY POWER

When you are using two batteries in the battery grip, the camera's monitor displays an image as such:



The battery with the least amount of power will be used first. The remaining level of power will be displayed as a percentage, as shown in the illustration above. As the battery runs out of power, the image displayed on the camera's monitor will change as shown below:



When the first battery runs out, the unit will switch to the other battery automatically.

TROUBLESHOOTING

Issue	Solution
Camera does not work even though the battery grip is attached to the camera, the batteries are inserted in the grip, and the camera power is turned on.	Ensure that the battery grip attachment screw is tightened securely.
	Ensure that the batteries are charged.
	Remove the batteries from the battery tray and reinsert them.
	Turn the camera power off, remove the batteries, and reattach the battery grip to the camera.

The shutter button or other buttons are not working.	Ensure that the battery grip's on/off switch is not set to "off."
	Remove the batteries from the battery tray and reinsert them.
	Turn the camera power off, remove the batteries, and reattach the battery grip to the camera.
The message "Lithium Battery Only" is displayed even though a genuine Sony battery is being used.	Remove the batteries from the battery tray and reinsert them.
	Turn the camera power off, remove the batteries, and reattach the battery grip to the camera.

KOAH