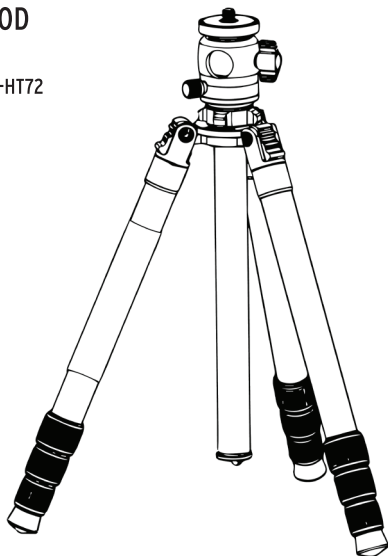


# KOAH

## APHELION

6' TRIPOD

MODEL: KO-HT72

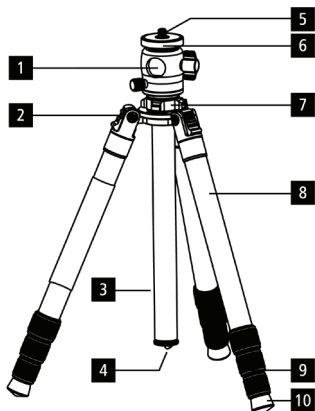


## USER MANUAL

Please read this manual carefully before use  
Save these instructions

## TRIPOD PARTS

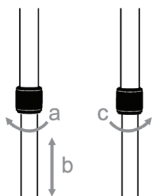
1. Transverse axis
2. Angle-adjustment button
3. Center column
4. Hook
5. Screw
6. Base plate
7. Center column knob
8. Leg
9. Leg-locking mechanism
10. Removable rubber feet



## INSTRUCTIONS

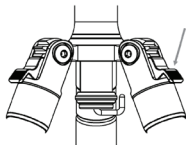
### Height Adjustment

- Rotate the leg-locking mechanism a quarter-turn to the left to loosen.
- Pull out the leg to the desired length.
- Tighten the leg-locking mechanism by turning it to the right.



### Leg Angle Adjustment

The tripod's legs can be adjusted to three different angles - high, middle, and low - with three lock-in positions. To adjust the leg's angle, move the leg toward the center column. Then, press and hold the angle-adjustment button while moving the leg to the desired position.



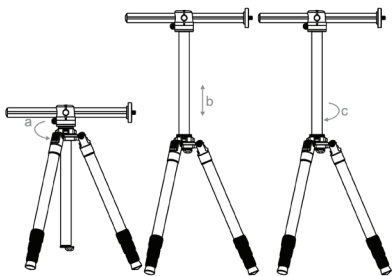
## Center Column Adjustment

a. Turn the center column knob counterclockwise to move the center column up and down. Lock the center column in the desired position by turning the knob clockwise.

b. The upper part of the center column can be set in a horizontal position. To do so, turn the screw on the top of the center column and pull out the center column completely. Then, place the center column through the transverse axis and lock it in the desired position.

c. Loosen the screw on the top of the center column to rotate by 360 degrees.

Note: The center of gravity will be changed when putting the center column in a horizontal position. Using counterweights is recommended.



## Reversing the Center Column

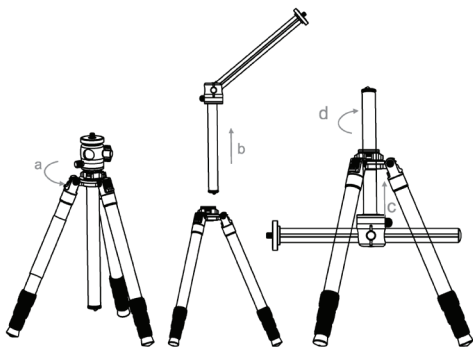
a. The center column can be reversed for near-ground shooting. To do so, turn the center column knob counterclockwise and remove the hook at the bottom of the center column.

b. Pull out the center column.

c. Insert the center column reversely.

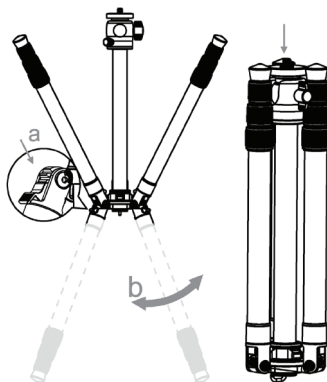
d. Ensure that the center column groove matches the pin on the inside of the tripod shoulder. Attach the hook and lock the center column in the desired position.

Note: This product also includes a shorter center column, which you may choose to use instead of the longer center column to shoot near the ground from the top of the tripod.



## Folding and Storing

- a. To fold and store the tripod, first retract the legs to their lowest position. Then, press and hold the angle-adjustment button while moving the legs up.
- b. Position each leg so that the end of the leg is next to the top of the center column.



## NOTES

---

---

---

---

---

---

---

---

---

---

**KOAH**